

EML3 LED Emergency Light

The EML3 LED emergency light combines a low-profile, standard design in an affordable package. The EML3 Series is available in white and offers universal mounting, a test button with AC indicator, damp location listing, and a remote capable option. With fully adjustable heads, the EML3 Series complements any design application.

Construction

- Injection molded thermoplastic ABS housing.
- UL-94 V-0 Flame rating - Flame Retardant
- Adjustable heads for aiming light where required
- Head tilt: +25°/-90°
- Head rotation: 330°
- Operating temperature: 32°F - 104°F (0°C - 40°C)

Optical System

- Precision engineered Prismatic Lens

Electrical

- Input voltage 120/277
- Output voltage (remote option) 3.6VDC
- 2.1W Power draw
- Supports up to four (4) 3.6VDC NICOR remote lamps (see compatibility chart on specsheet)
- Minimum 90 minute capacity on emergency mode (including remote heads)

Mounting and Installation

- Easy installation into a standard junction box or conduit
- Universal mounting plate with EZ quick connect
- Damp location rated

Listings

- Meets FCC Part 15, Subpart B, Class B standards for conducted and radiated emissions

Finish

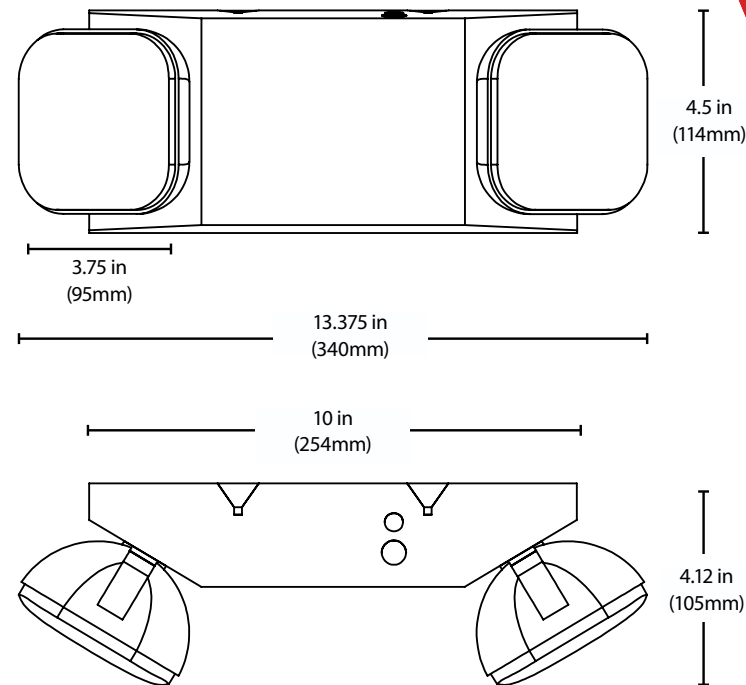
- White unpainted ABS Plastic



+25°/-90° TILT WITH 330° ROTATION



Compatible with remote heads: ERH1|2 & ERHWP 1|2



| Product Information | |
|-----------------------------|--------------------|
| Input Voltage (VAC) | 120/277 |
| Power Draw (W) | 2.1 |
| Delivered Lumens (Lm) | 203 |
| System Efficacy (Lm/W) | 97.8 |
| Correlated Color Temp (K) | 6000K |
| Color Rendering Index (CRI) | 83 |
| Emergency Operation | Minimum 90 Minutes |

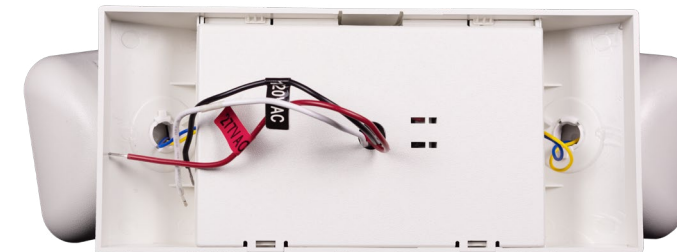


Applications



The EML series can be installed in many applications such as hallways, schools, restaurants, event venues and more.

Installation



Easy installation with standard 120/277 hook up from the back of the fixture. Universal mounting plate with EZ connects also available for simpler installation. Can be installed into standard junction boxes or conduit.



With fully adjustable heads the EML3 can accommodate any application for the best lighting in emergency situations.

| Ordering Information | | | | |
|----------------------|----------|------------------|---------------|-------------------------|
| Series | Version | Voltage | Housing Color | Remote head Option |
| EML3 | 10 (1.0) | UNV (120/277VAC) | WH (white) | BLANK (non-remote) |
| | | | | R (remote head capable) |